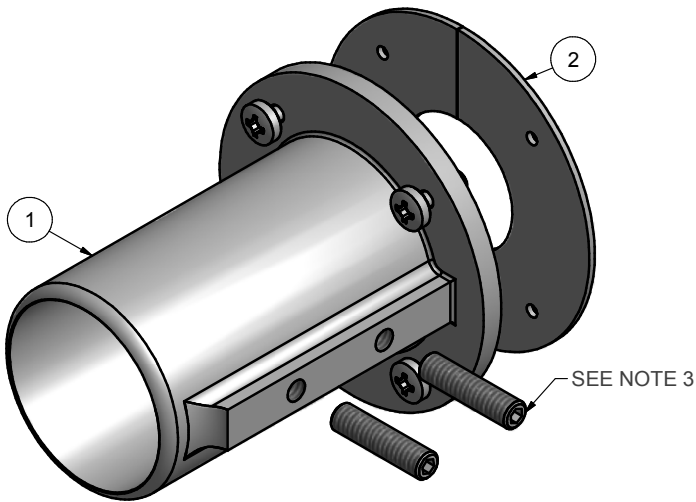
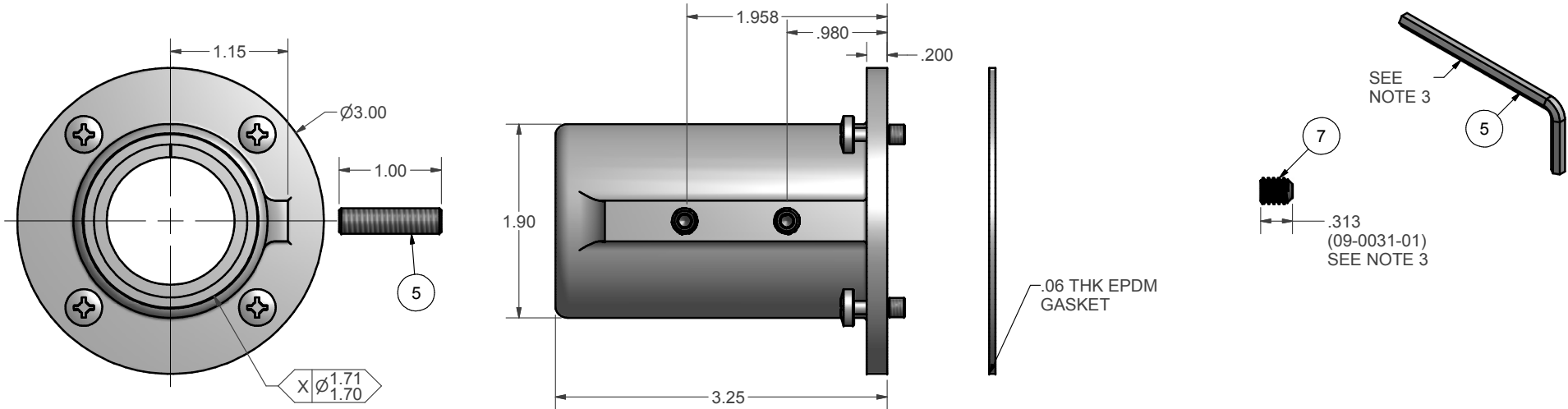


2


1

- NOTES:
 1. FOR USE WITH GPS TIMING ANTENNAS.
 2. CAPTIVE SCREWS INTERFACE WITH MOUNTING HOLES OF ANTENNA.
 3. 11-0067-01 CONTAINS: SET SCREWS, **600080A000 (1/4-20 x 1") AND 09-0031-01 (1/4-20 X 0.313")** AND ALLEN WRENCH, 750026A000. PLACE IN AN OVERSIZED BAG APPROXIMATELY 4" X 4". DO NOT INSTALL. SHORTER SET SCREW PROVIDED FOR LARGER PIPE INSTALLATIONS.

REVISION HISTORY			
REV	DESCRIPTION	DATE	APPROVED
E	MODIFIED THE WAY KIT IS PACKED C09492	04OCT12	JMP
F	ADDED 09-0031-01 SET SCREWS FOR LARGER PIPE INSTALLATIONS C010135	04FEB13	JMP



Parts List			
ITEM	QTY	PART NUMBER	DESCRIPTION
1	1	840045A001	GPS ANT MOUNT COLLAR
2	1	740055A000	GASKET
3	4	600079A000	10-32 UNF-2A PH PNHD CAPTIVE SCREW
4	1	11-0067-01	KIT, 1/4-20 X 1 AND 1/4-20 X 0.313" SET SCREWS AND ALLEN WRENCH, IN 4" X 4" OVERSIZED BAG
***	***	***	*** 11-0067-01 KIT CONTAINS THE ITEMS BELOW
5	2	600080A000	1/40-20 UNC-3A X 1" LG 18-8 SS SET SCREW (SEE NOTE 3)
6	1	750026A000	ALLEN WRENCH (SEE NOTE 3)
7	2	09-0031-01	SET SCREW, 1/4-20 X 0.313", CUP PT, TYPE A, 18-8 SST (SEE NOTE 3)

UNLESS OTHERWISE SPECIFIED DIMENSION ARE IN INCHES	DRAWN: FXG 3/06 DATE	 PCTEL Antenna Products Group	471 BRIGHTON DRIVE BLOOMINGDALE, IL 60108 PH. 630-372-6800 FAX. 630-372-8077
FOR TOLERANCES NOT SPECIFIED USE: X.X = ± 0.1, X.XX = ± 0.01, X.XXX = ± 0.005 ANGULAR ± 2°	CHECKED:		
THIRD ANGLE PROJECTION	ORIGINAL PROJECT:	DESCRIPTION:	ASSEMBLY DRAWING COLLAR MOUNT FOR GPS TIMING ANT. SCHED 80 - 1.7" ID PIPE
PROPRIETARY DATA	MATERIAL: CAST ALUMINUM 356/384	DRAWING NO.:	Z1939
THE INFORMATION CONTAINED IN THIS DOCUMENT IS OF A PROPRIETARY NATURE. IT MAY NOT BE USED OR REPRODUCED WITHOUT EXPRESS WRITTEN PERMISSION OF PCTEL APG, BLOOMINGDALE, IL 60108	FINISH:	SIZE:	B
		SCALE:	FULL
		SHEET:	

2

1